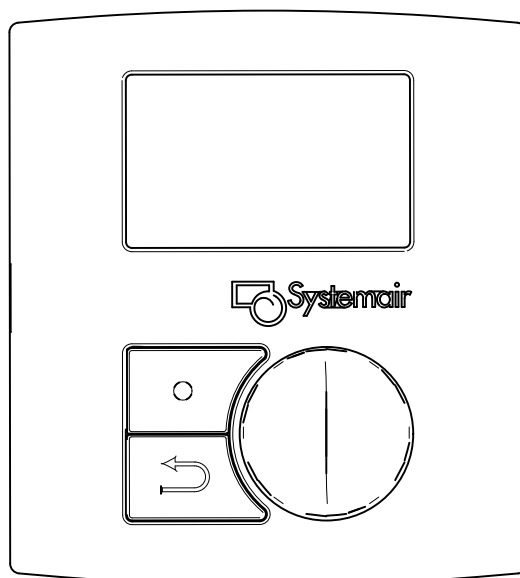


CD Control panel

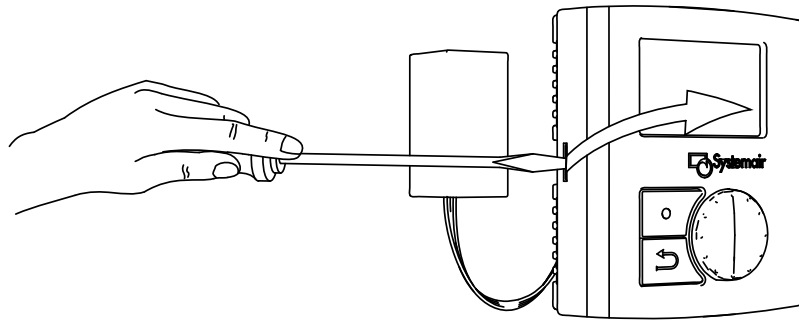
Wall mounting



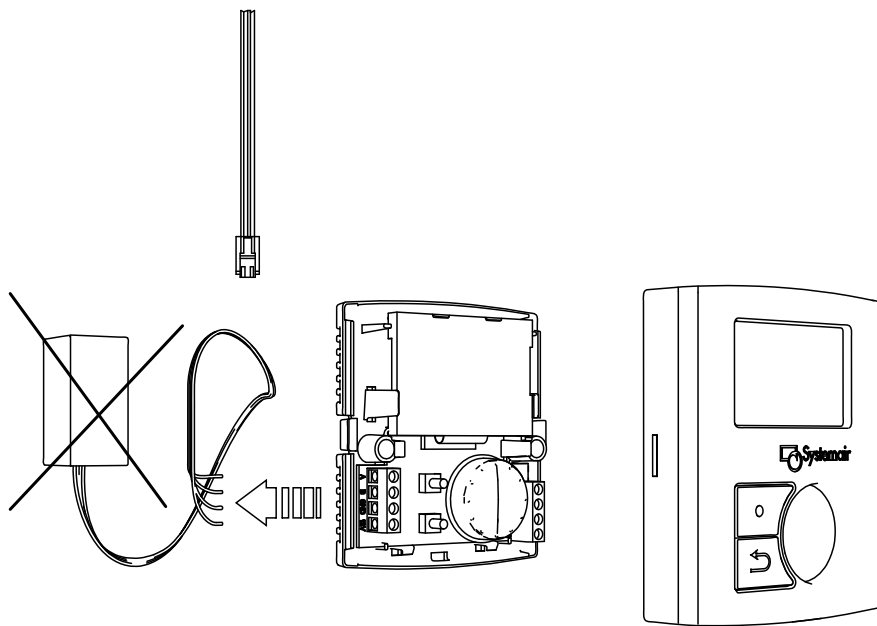
GB Installation instructions

1 Installation

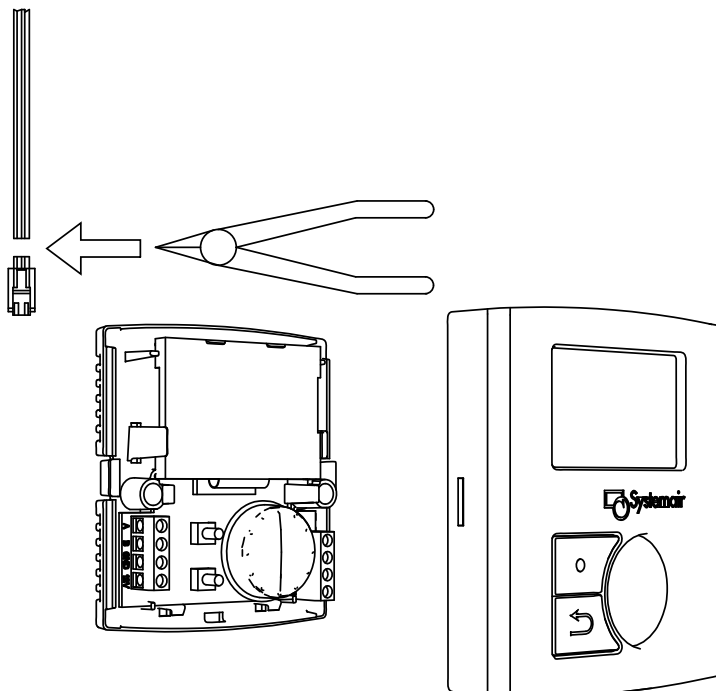
1.



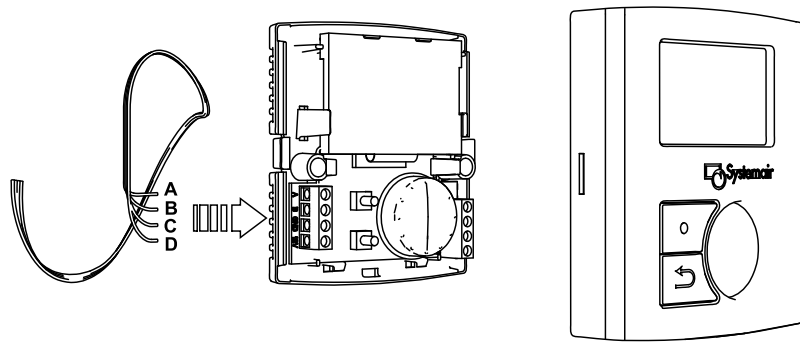
2.



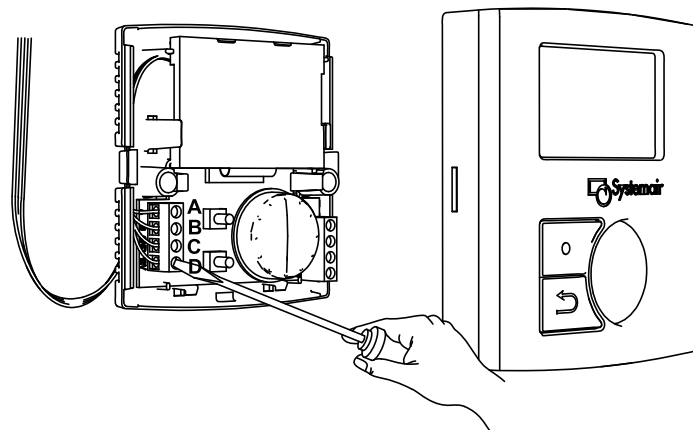
3.



4.



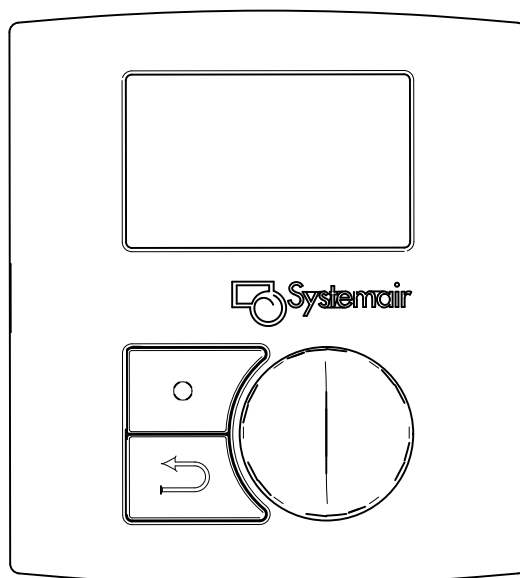
5.



Position	Description
A	Yellow (signal cable)
B	Green (signal cable)
C	Black (GND reference)
D	Red (12V DC supply voltage)

CD Kontrollpanel

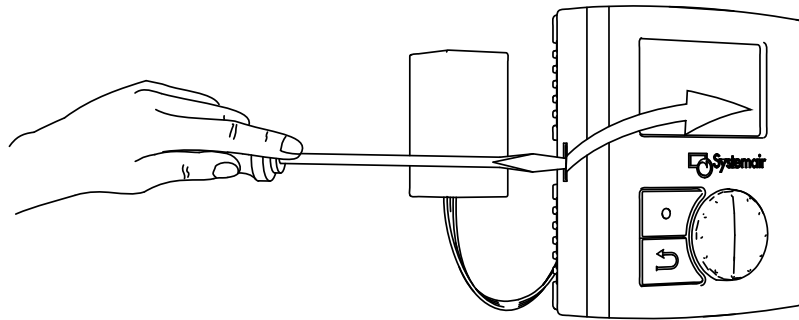
Utanpåliggande väggmontage



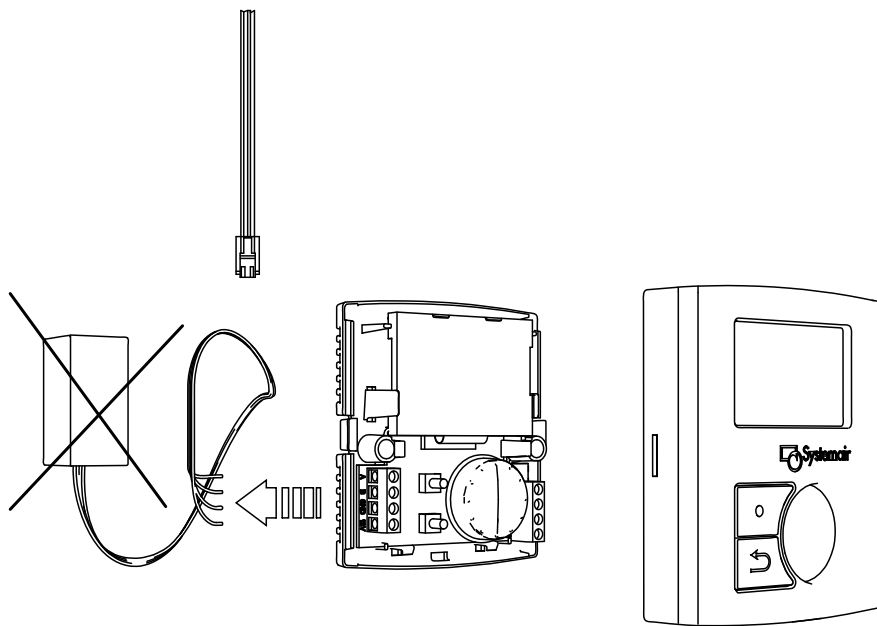
SE Installationsinstruktion

1 Installation

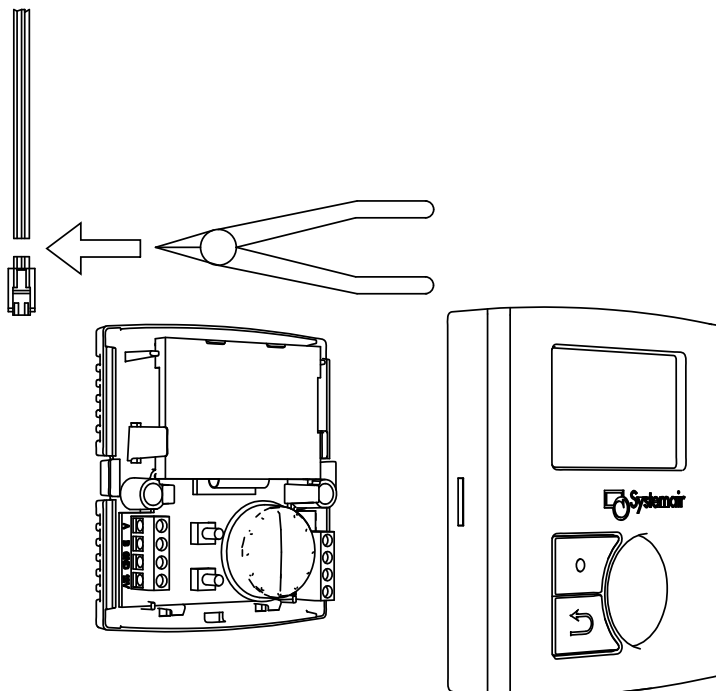
1.



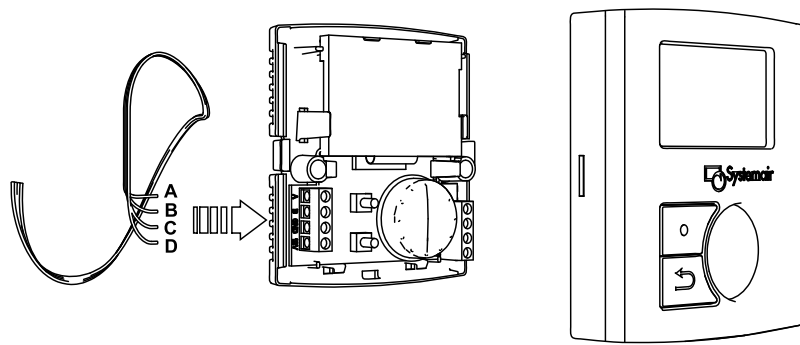
2.



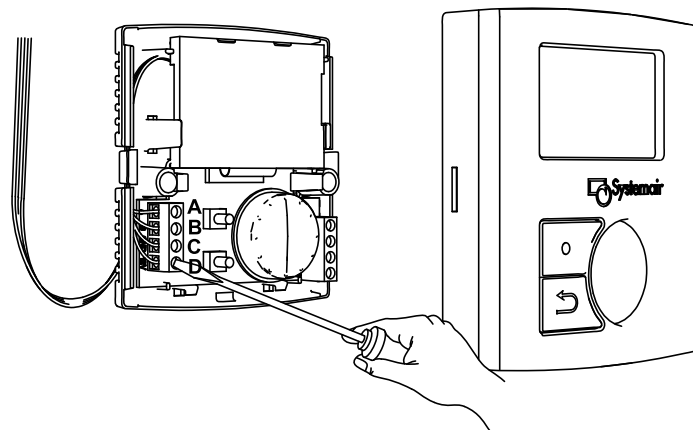
3.



4.



5.



Position	Beskrivning
A	Gul (signalkabel)
B	Grön (signalkabel)
C	Svart (GND referens)
D	Röd (12V DC matningsspänning)

Systemair AB reserves the right to make changes and improvements to the contents of this manual without prior notice.



Systemair AB
Industrivägen 3
SE-739 30 Skinnkatteberg, Sweden

Phone +46 222 440 00

Fax +46 222 440 99

www.systemair.com