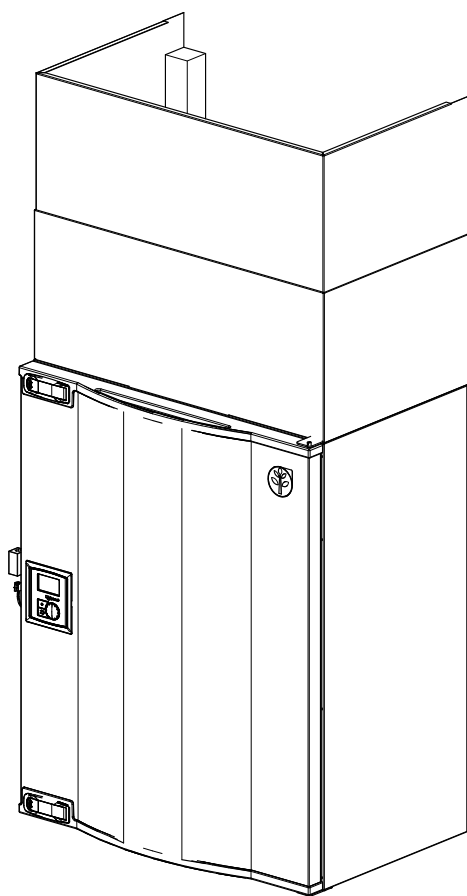


Duct cover VTR 150/200

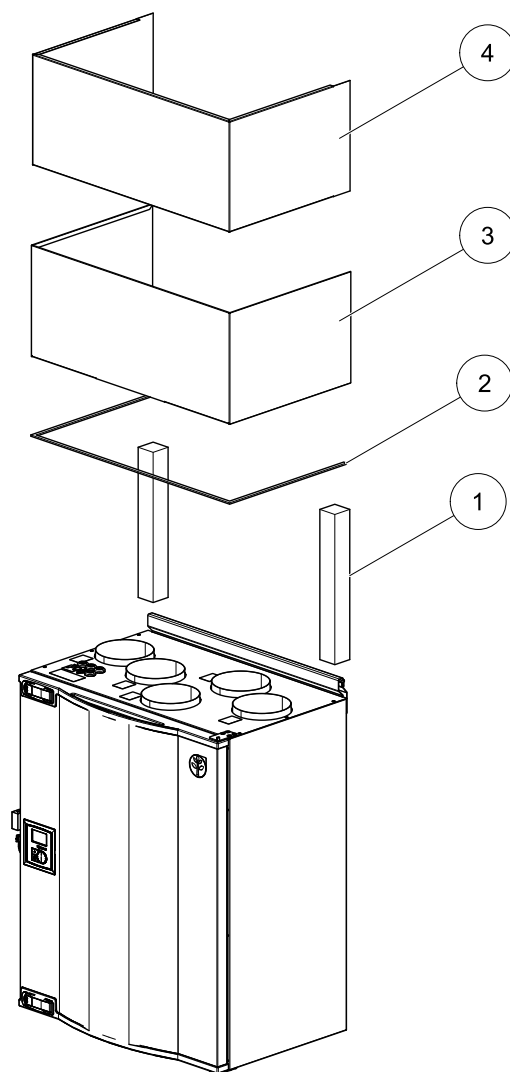


GB Installation instructions

1 Duct cover parts

1

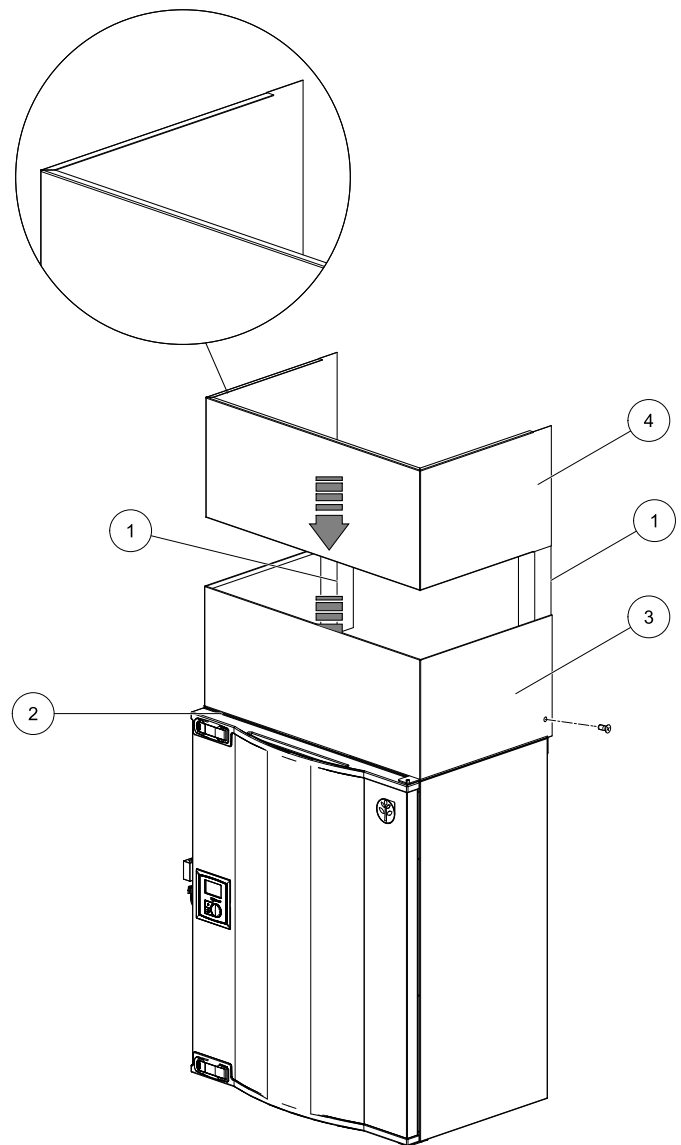
- 1. Wood stud
- 2. Cellular rubber strip
- 3. Duct cover
- 4. Duct cover, edge 90° bends



2

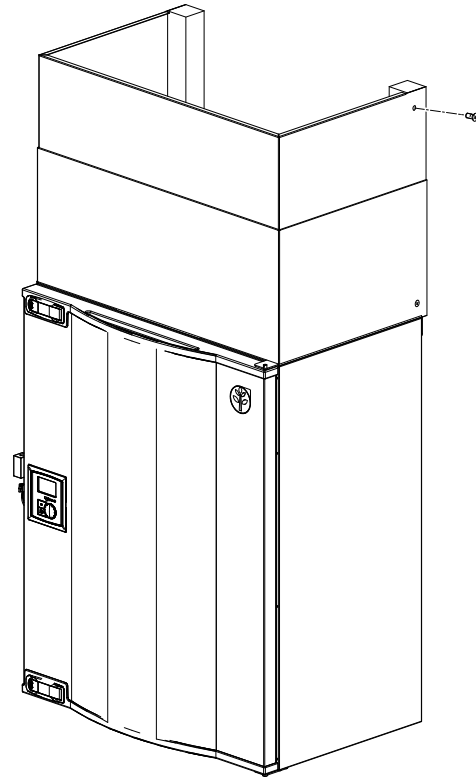
Attach two wooden studs according to the width of the unit. Save space between the unit and the wooden studs to be able to remove the main unit if necessary. Fasten the rubber strip (pos 2) to prevent structure-borne sound. Fasten duct cover (pos 3) with a screw on each side into the wooden studs. Place the duct cover with the 90° (pos 4) bends inside the mounted duct cover and adjust to desired height between 250-400 mm.

On VTR 150 the duct cover closest to the main unit has cable glands on each side.



3

Fasten the upper duct cover with screws in each side.



Systemair AB reserves the right to make changes and improvements to the contents of this manual without prior notice.



Systemair AB
Industrivägen 3
SE-739 30 Skinnkatteberg, Sweden

Phone +46 222 440 00

Fax +46 222 440 99

www.systemair.com